

- Key Features -

- Multiple Spectrum Analyzer Support
- >80dB Dynamic Range
- Standalone TG Source, no PC needed
- USB RF Signal Generator Mode
- USB Powered
- Competitive Price
- Compact Size

TG6000

TRACKING RF SIGNAL GENERATOR



New Third Generation Model

TG6000, A Generic Tracking Signal Generator

The TG6000 enables users to generate a tracking signal >6GHz using their Spectrum Analyzer (SA). Preprogrammed settings support a large number of existing SA's. In addition it is possible for the user to configure the instrument for other analyzers using the provided PC software and USB interface. The TG6000 covers the fundamental band (Band0) and Band1 of the users SA.

Ease of Use

The user connects the Spectrum Analyzers 1st LO and its 10MHz to the TG6000. Selection of SA Model is done by rear panel rotary switches. A TG signal is now active at the TG OUT port of the instrument. With the users DUT inserted between the TG output and the SA input the DUT frequency response is automatically traced on the users SA display. **No PC is needed to operate the TG6000 as a tracking signal source.**

Signal Generator Operation

The TG6000 can operate as a broad band RF signal generator with the output frequency controlled via rear panel USB port. The SG output is fully synthesized and locked to the applied or internal 10Mhz reference. A provided Software application allows the user to set the frequency of the SG OUT port. Frequency output covers from 25MHz to 6.0 GHz.

The USB port is configured as a virtual COM port which supports industry standard SCPI commands for frequency and level.

DS Instruments

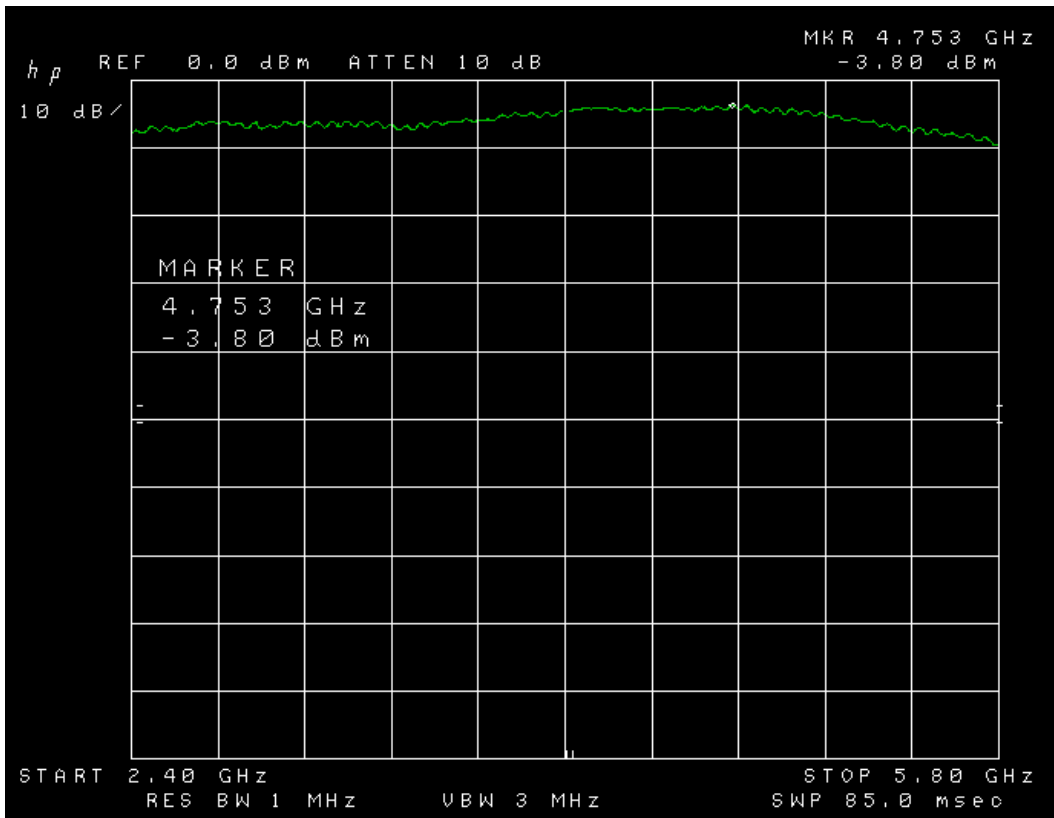
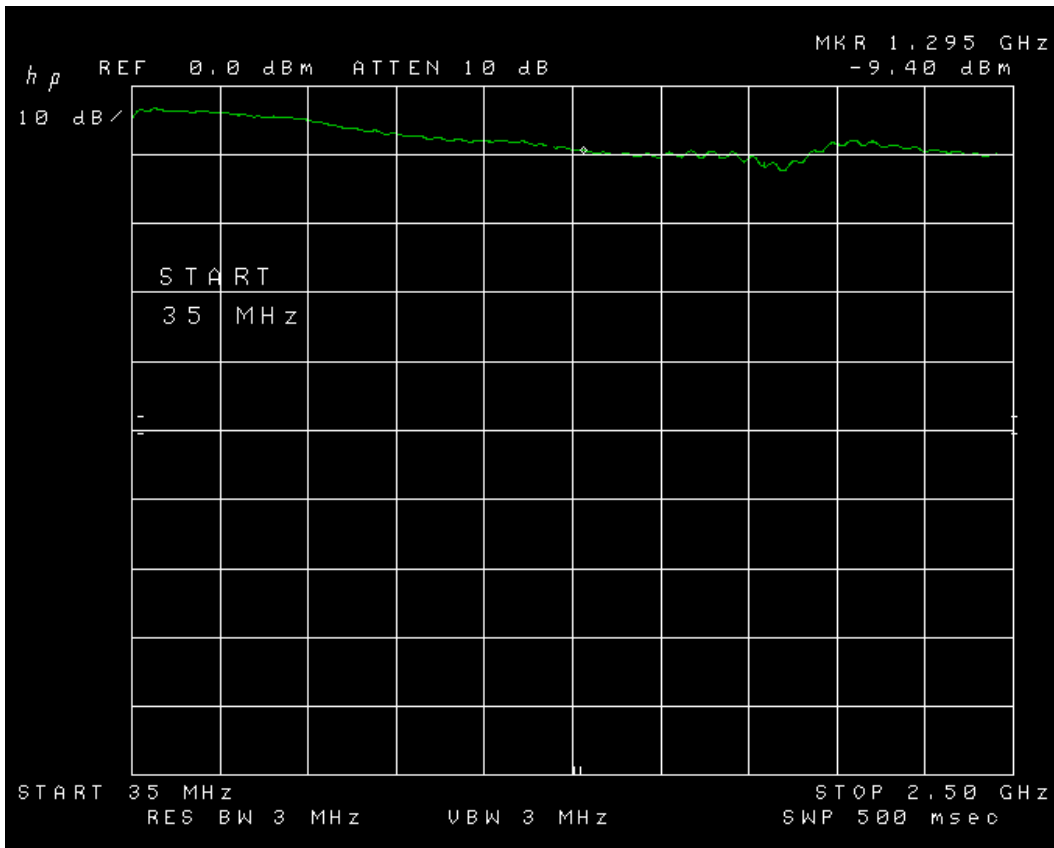


SPECIFICATIONS

Parameter	Min	Max	Typ	Units
TG Output Frequency Range	0.10	>6000		MHz
TG Output Power	-6	+3	-3	dBm
TG Output Flatness	-3	+3	+/- 2	dB
TG Dynamic Range, 3KHz RBW			>80	dB
SG Output Frequency Range	25	6000		MHz
SG Output Power @ Max Setting	+6	+12	+8	dBm
SG Step Size	0.5	4.00		KHz
1 st LO Frequency Range (SA Input)	1	7		GHz
1 st LO Min Power from User's SA	0	+15		dBm
10MHz Reference Input power Range	-20	+15		dBm
DC Power Input thru USB Port	4.75	5.2		vdc

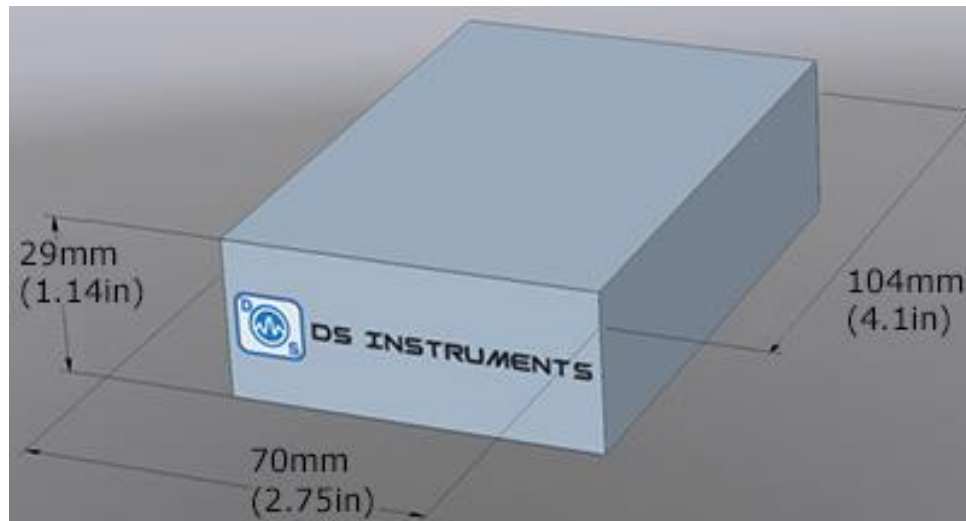
TG6000

Typical TG Signals (Low and High Band)

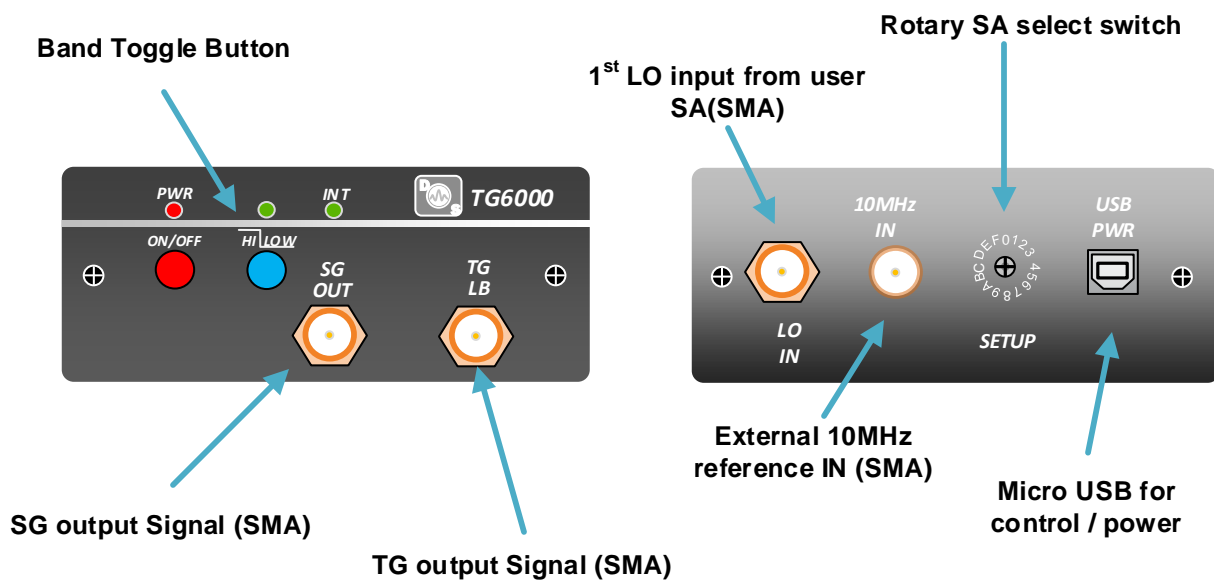


TG6000

TG6000 Case Dimensions

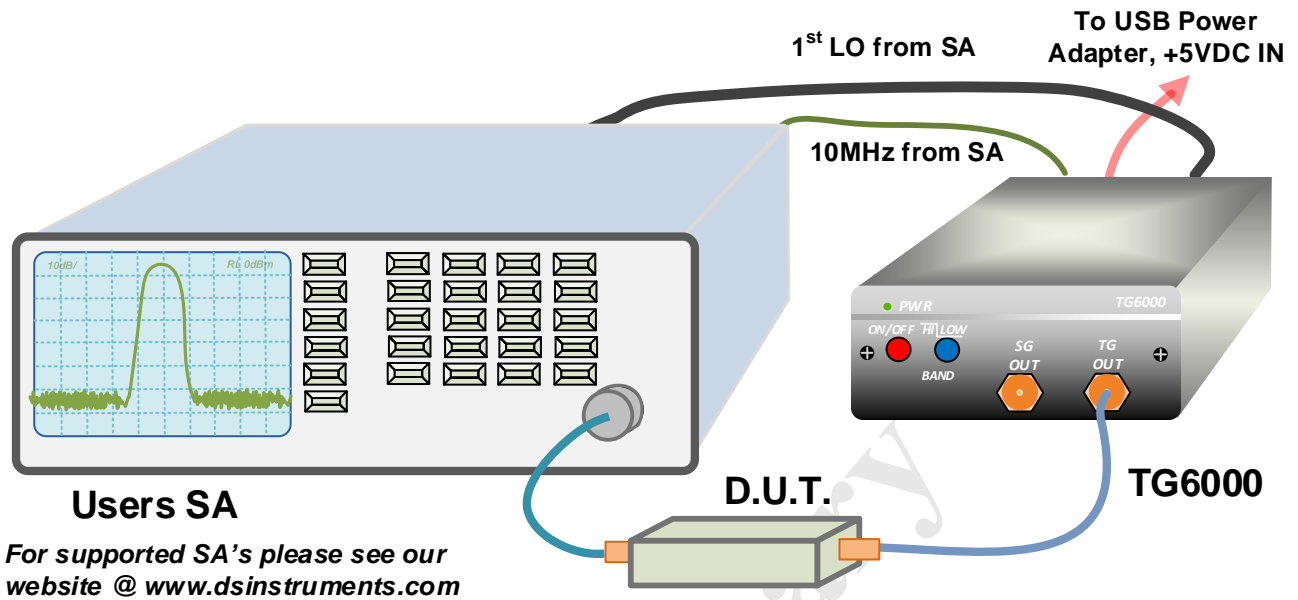


TG6000 Front and Rear Panel Features



TG6000

Typical User connections



Device Images



TG6000

Ordering Information

TG6000 - 0.1 to >6000MHz TG Output

\$895.00

Contact Information

www.dsinstruments.com

support@dsinstruments.com

call us: (805) 242-6685

